

The Model 5660 (Figures 1 and 2) is designed to reduce high inlet pressures to working pressures. Careful design and quality materials throughout assure long, trouble-free operation in the most difficult industrial environments.

Specifications

Connections: 0.25 FNPT
 Operating Temp.: -70 to +225°F
 Max Inlet Pressure: 6000 psig
 Flow Capacities: see Table 1
 Outlet Ranges:
 • 0 - 125 psi
 • 0 - 150 psi
 • 0 - 225 psi

Materials of Construction:

Body / Bonnet Forged Brass
 Diaphragm 302 SST
 Seat Nylon
 Seals TFE & Buna-N
 Nozzle 316 SST
 Filter 40 Micron Screen

Ordering Information

Maximum Outlet Pressure	Adjusting Screw	Model Number
125 psi	Socket	5660-1
125 psi	Tee	5660-2
150 psi	Socket	5660-3
150 psi	Tee	5660-4
225 psi	Socket	5660-5
225 psi	Tee	5660-6

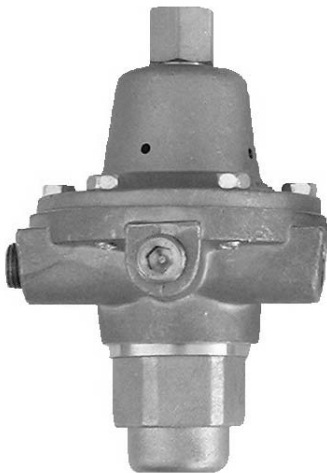


Figure 1. 5660-1

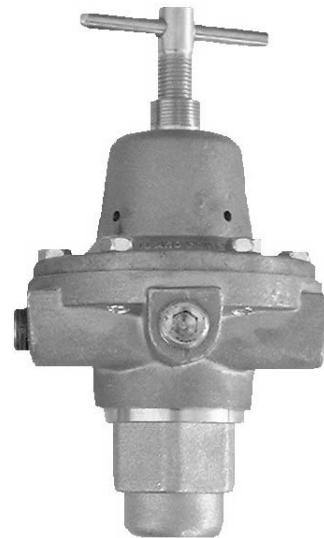


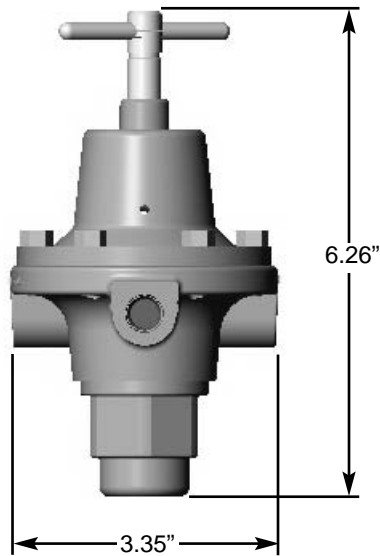
Figure 2. 5660-2



Table 1. Flow Capacities (SCFH of 0.6 SG Gas)

Spring Range	Outlet Pressure Setting		Inlet Pressure, PSIG (Bar)						
			100 (6.8)	250 (17)	500 (34)	750 (51)	1000 (69)	1500 (103)	2000 (137)
	Psig	Bar							
0-125	25	1.71	290	480	650	750	770	800	820
	50	3.42	400	800	1000	1200	1300	1400	1500
	75	5.14	400	900	1400	1600	1700	1800	1900
0-150	75	5.14	350	800	1300	1500	1600	1700	1800
	150	10.3	-	1000	1800	2300	2600	2800	3000
0-225	150	10.3	-	900	1700	2200	2250	2750	3000
	225	15.4	-	800	2100	2900	3500	4000	4500

Dimensions



While this information is presented in good faith and believed to be accurate, Mallard Control Company does not guarantee results based upon such information. Mallard Control Company reserves the right to change the design or specifications of these products without notice.

Mallard Control Company, Inc.

4970 Washington Boulevard
 Beaumont, Texas, USA 77707
 409 842-5392 Phone
 409 842-8165 FAX
 www.MallardControl.com